

100

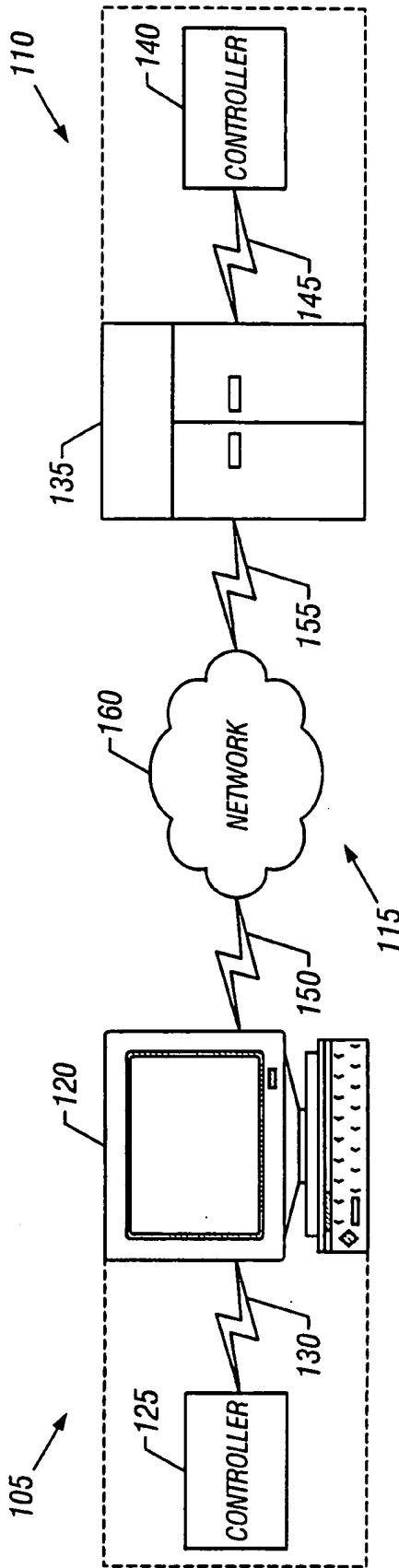


FIG. 1



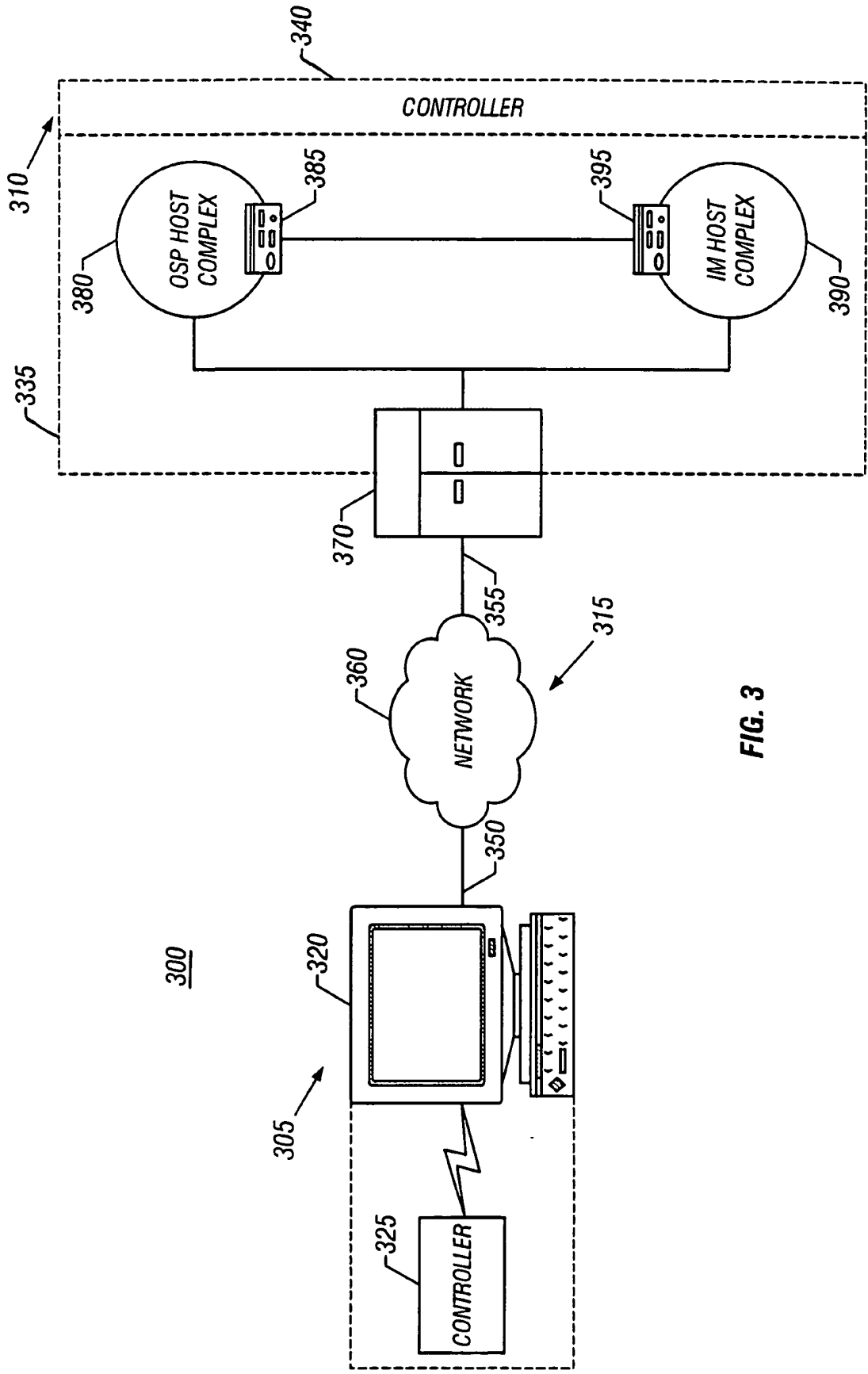


FIG. 3

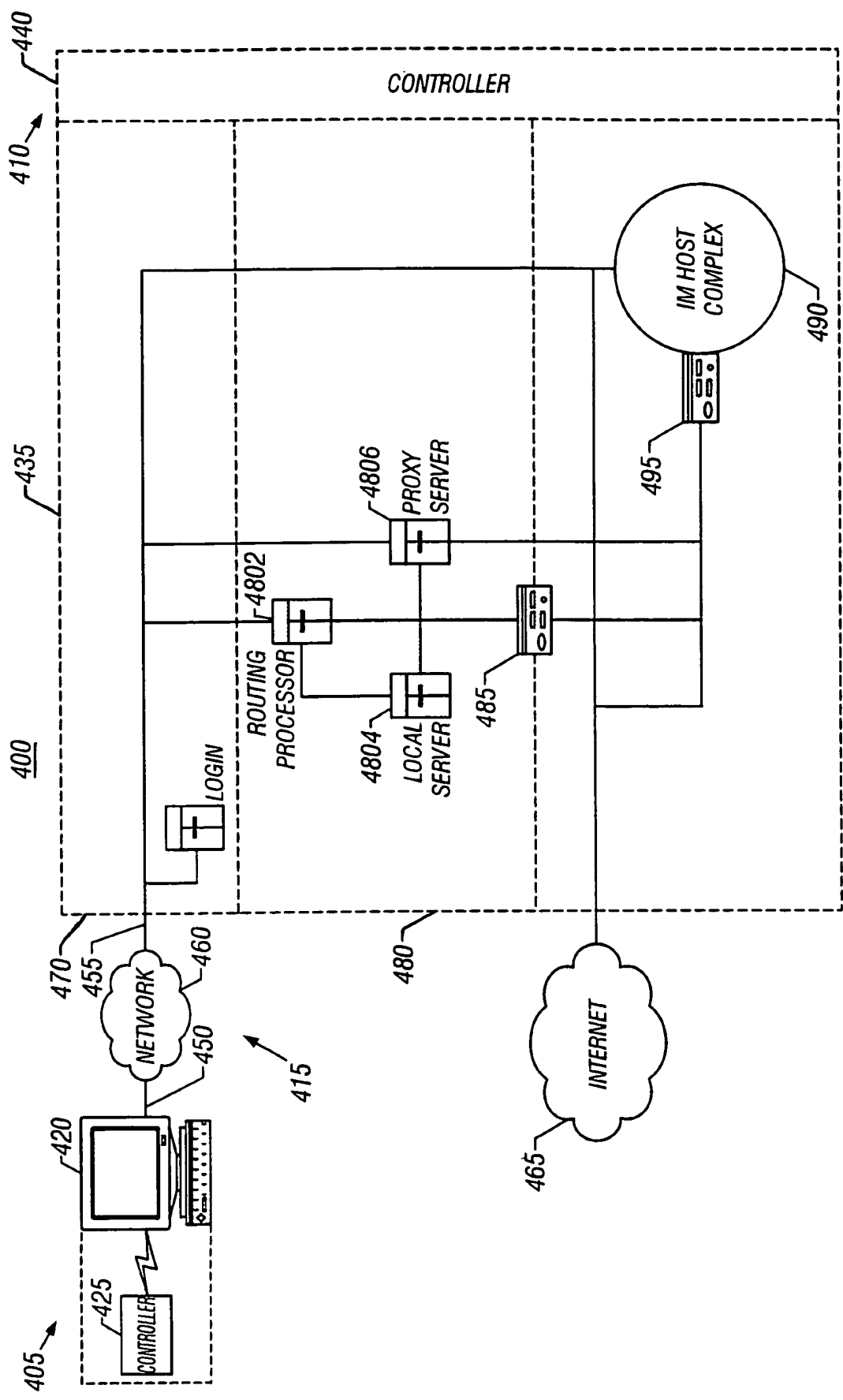


FIG. 4

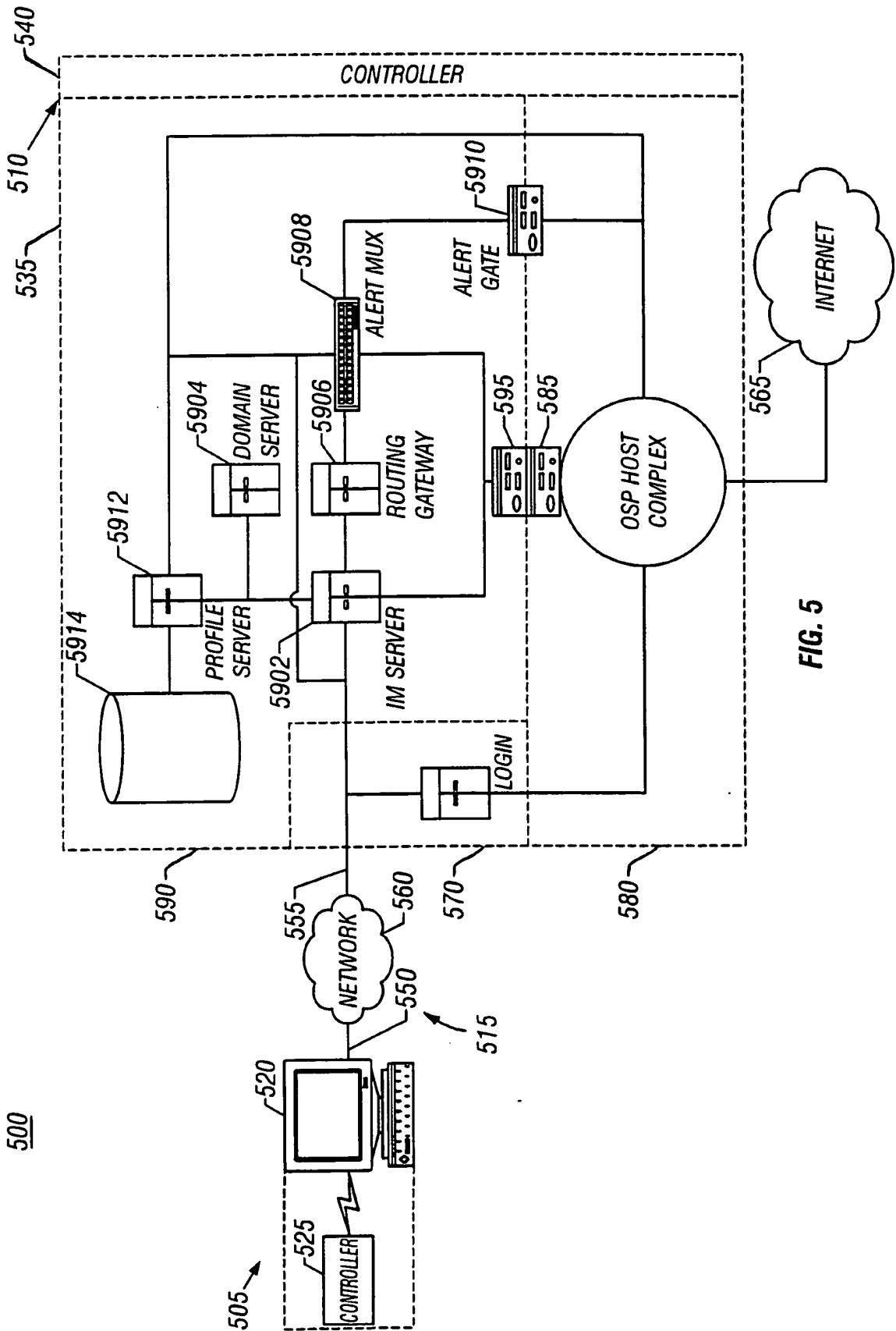


FIG. 5

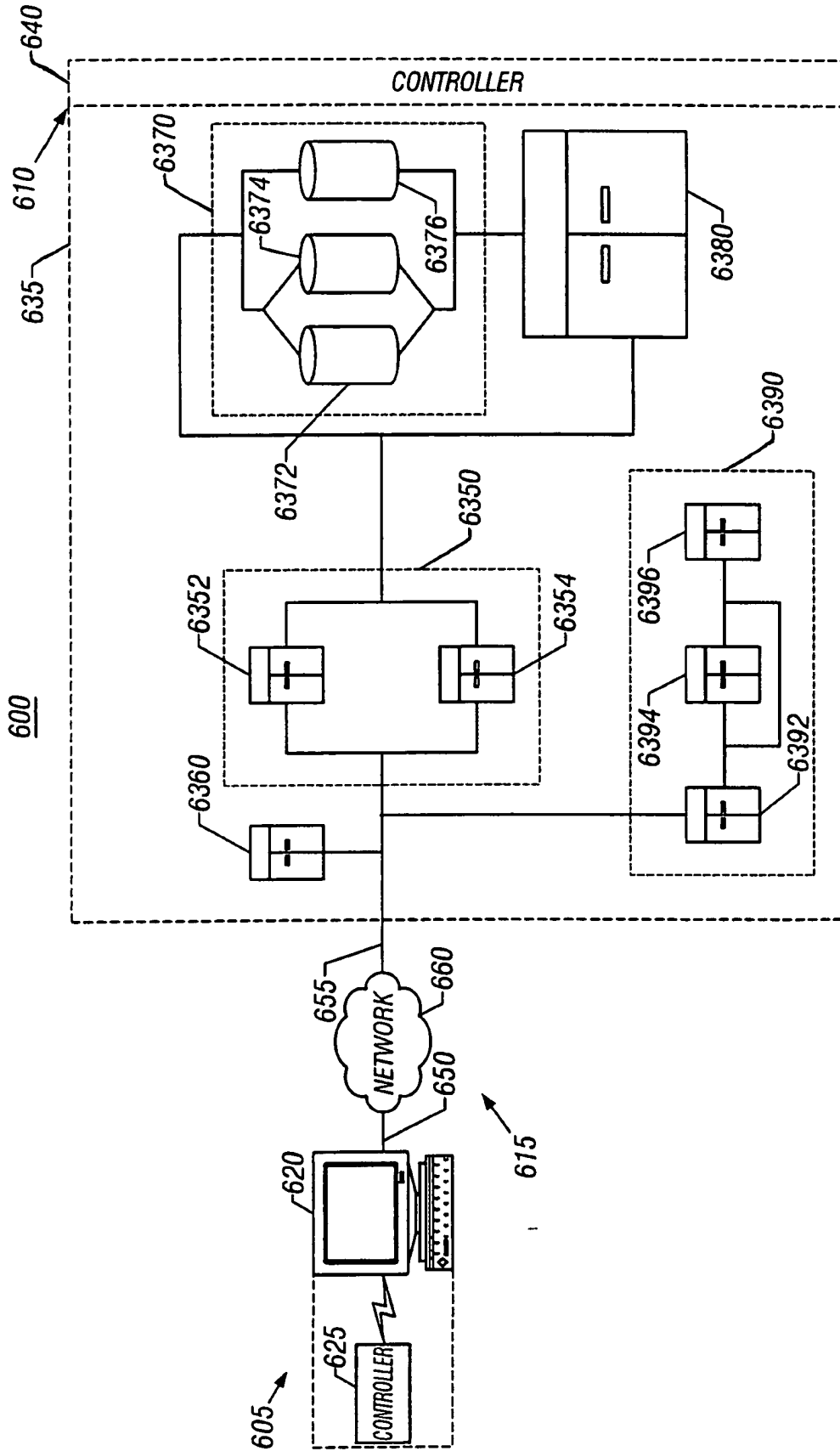
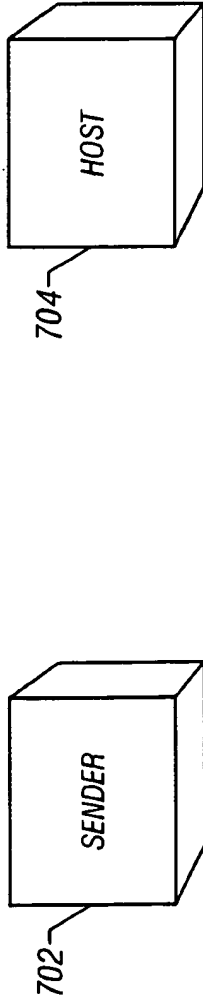


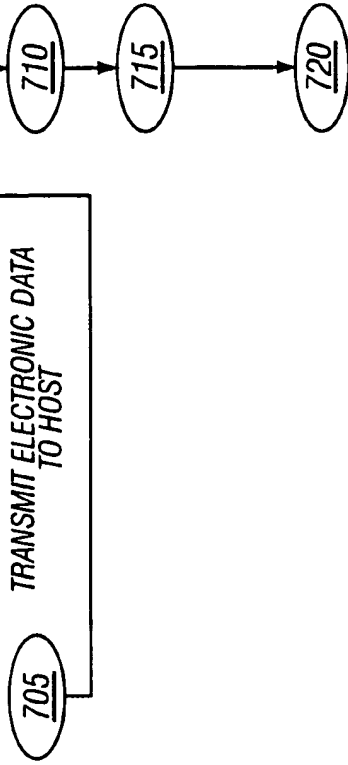
FIG. 6

700



TRANSMIT ELECTRONIC DATA TO HOST

RECEIVE ELECTRONIC DATA FROM SENDER



DETERMINE ATTRIBUTES OF THE ELECTRONIC DATA

CONFIGURE AN ALTERNATE COMMUNICATION SCHEME BETWEEN THE INTENDED RECIPIENT AND THE SENDER AND/OR CONFIGURE AN ALTERNATE COMMUNICATION SCHEME BETWEEN THE INTENDED RECIPIENT AND THE OTHER RECIPIENTS

FIG. 7

900

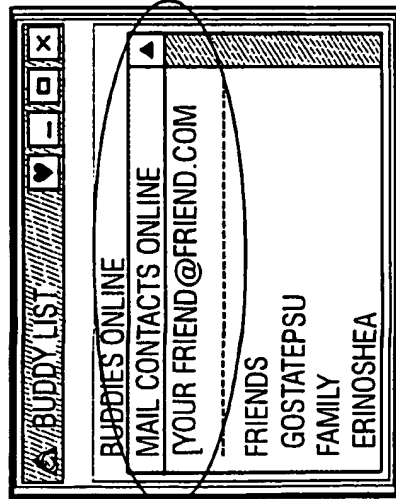


FIG. 9

TELEPHONE

800

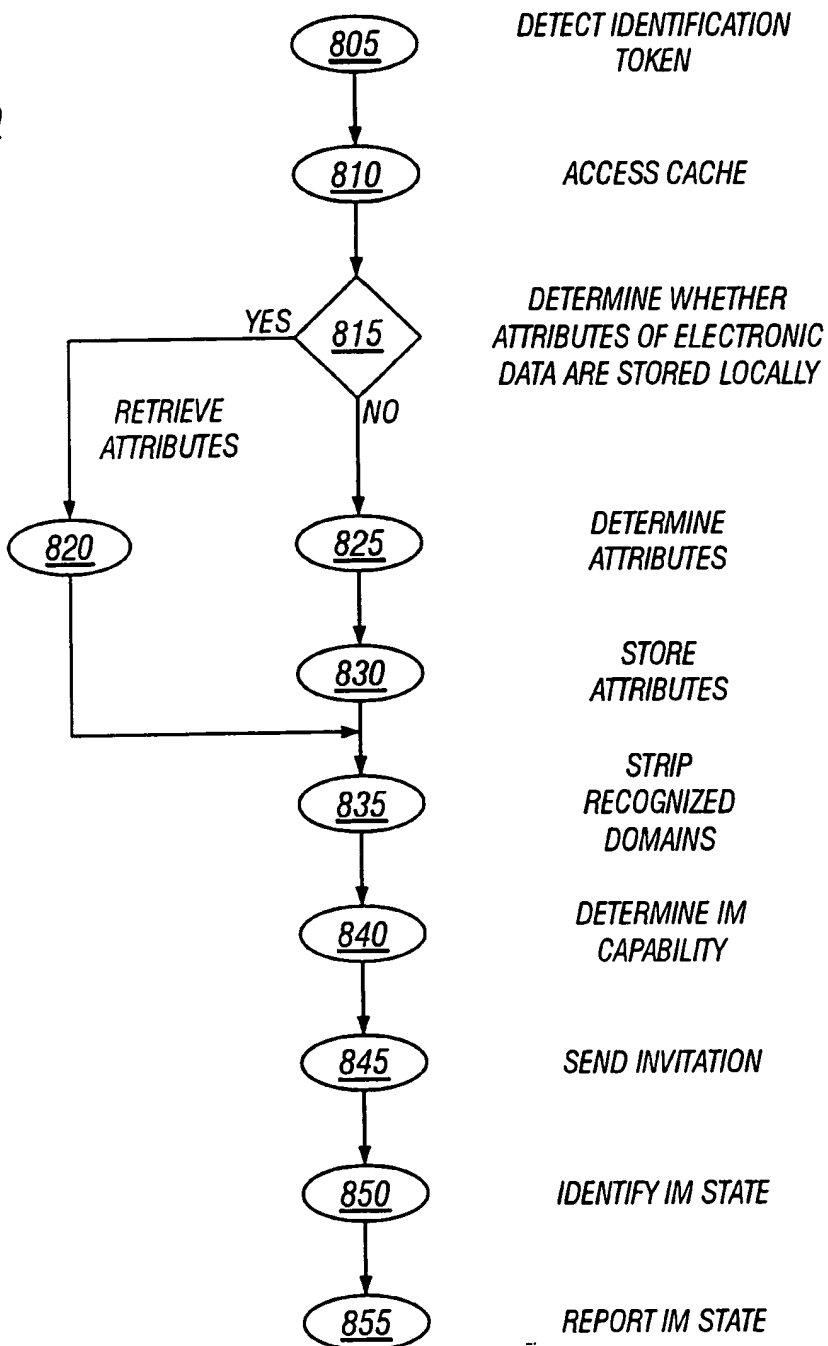


FIG. 8



FIG. 10

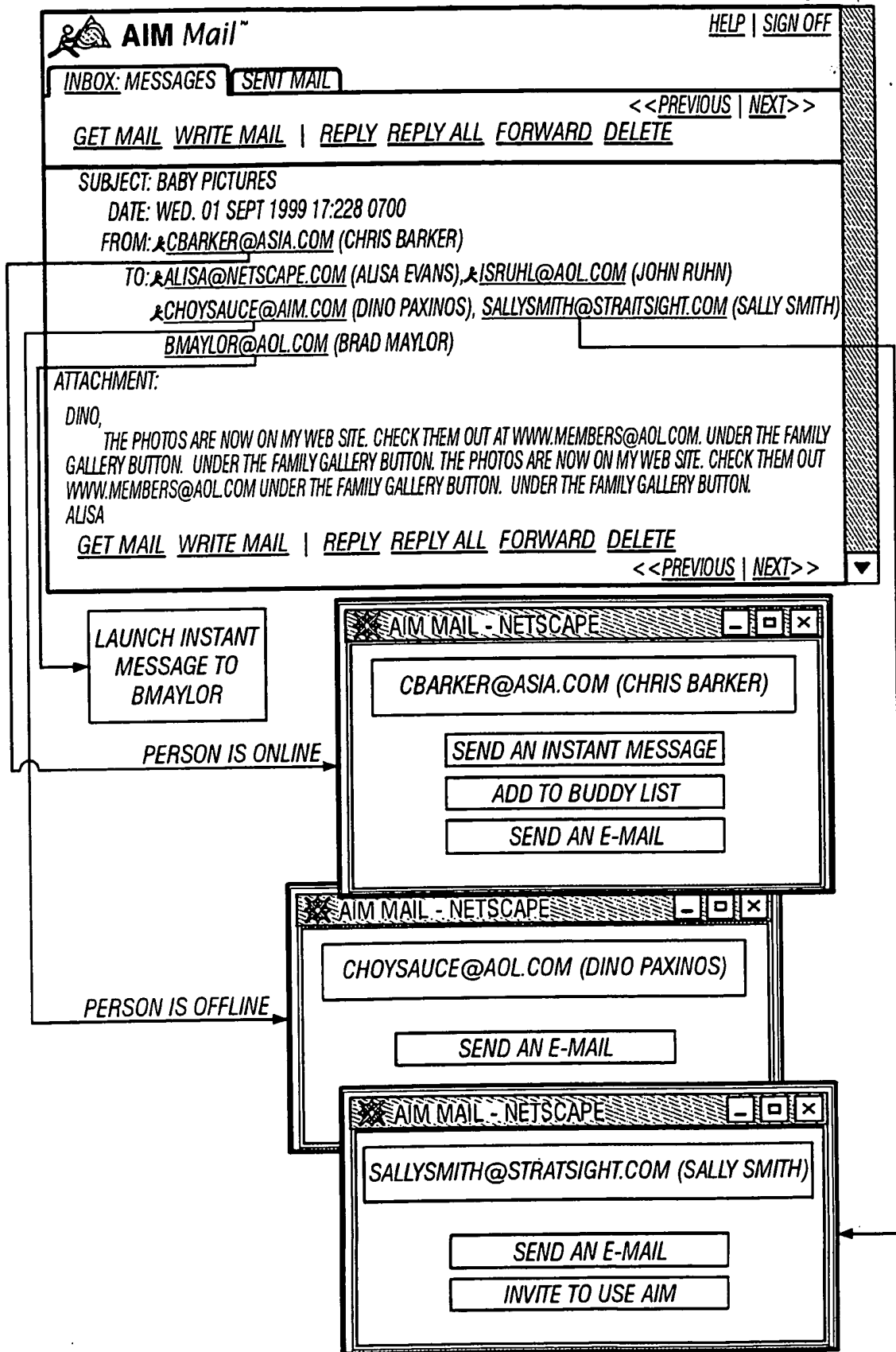


FIG. 10